

BALDOR® • RELIANCE 

Product Information Packet

IDDRPM281006

100HP, 1160RPM, 3PH, NAHZ, L2882, DPG-FV, FOOT

Part Detail							
Revision:	A	Status:	PRD/A	Change #:		Proprietary:	No
Type:	AC	Elec. Spec:	L0337A	CD Diagram:	422927-001	Mfg Plant:	
Mech. Spec:		Layout:	617243-001	Poles:	04	Created Date:	04-10-2015
Base:		Eff. Date:	10-22-2019	Leads:			

Specs			
Catalog Number:	IDDRPM281006		
Enclosure:	DPFV		
Frame:	RL2882		
Frame Material:	Exposed Laminations		
Output @ Frequency:	100.000 HP @ 40 HZ		
Synchronous Speed @ Frequency:	1200 RPM @ 40 HZ		
Voltage @ Frequency:	460.0 V @ 40 HZ		
Agency Approvals:	CCSA US		
	UR		
Auxillary Box:	No Auxillary Box		
Base Indicator:	Rigid		
Bearing Grease Type:	Polyrex EM (-20F +300F)		
Current @ Voltage:	124.000 A @ 460.0 V		
Duty Rating:	CONT		
Enclosure Modification:	FORCE VENT		
Feedback Device:	NO FEEDBACK		
Frame Prefix:	RL		
Heater Indicator:	No Heater		

Insulation Class:	H		
Mounting Arrangement:	F1		
Product Family:	General Industrial		
Pulley End Bearing Type:	Ball		
Pulley Face Code:	Standard		
Shaft Ground Indicator:	No Shaft Grounding		
Shaft Rotation:	Reversible		
Motor Standards:	NEMA		
Thermal Device - Bearing:	None		
Thermal Device - Winding:	Normally Closed Thermostat		

Nameplate 000613006NN										
	DUTY	HP	RPM	AMPS	VOLTS	HZ				
	CONT	100	1160	124	460	40				
	CONT	100	1445	123	460	50				
	CONT	40	3450	49	460	116.7				
CAT.NO.	IDDRPM281006		SPEC. NO.	P28R0315						
SER.NO.			FR	RL 2882	INSUL	H				
PH.	3		MAX SAFE SPEED	5000	AMB.	40			MIN. AMB.	-25
DESIGN NO.	L0337A		TYPE		ENCL.	DP				
S.F.	1.0		D.E. BRG.	75BC02J30X						
ENCL MOD	FORCE VENT		O.D.E. BRG.	55BC02J30X						

Parts List		
Part Number	Description	Quantity
WS286670	WS P28R0315	1.000 EA
RA282878	RA P28R0315	1.000 EA
000692000FP	NP, WARNING LIFT INSTRUCTIONS	1.000 EA
418057747A	METAL FASTENER	8.000 EA
000613006NN	RPM AC WITH CERTIFIED LOGOS	1.000 EA
000692000LD	NP	1.000 EA
000692000VD	LABEL WARNING	1.000 EA
422927001	C/D LABEL	1.000 EA
004824015A	GREASE POLYREX EM	0.300 LB
034693001AB	PPLG - G508- use 034692001AB	1.000 EA
034693001AB	PPLG - G508- use 034692001AB	1.000 EA
035000001A	ALFTG 1/8" 1610-BL	1.000 EA
035000001A	ALFTG 1/8" 1610-BL	1.000 EA
036100080JA	HSHCS M8 80MM UNPLATED	3.000 EA
036100080KA	M10-1.50X 80MM HXSOCHDCS	3.000 EA
036140001D	EYEBOLT - 360	2.000 EA
036500011AB	METRIC NUT M12-1.75 PLT.	4.000 EA
036500011AB	METRIC NUT M12-1.75 PLT.	4.000 EA
400638001G	WAVEN (Customer number 43699)	1.000 EA
418150003A	GREASE FITTING CAP	2.000 EA
HA4054	SHORT T-DRAIN FITTING, .125" N.P.T.	1.000 EA
HA4054	SHORT T-DRAIN FITTING, .125" N.P.T.	1.000 EA
609830005AAG	TBOLT METRIC	4.000 EA
807529002AAE	BRKT,DE,RL280	1.000 EA

Parts List (continued)		
Part Number	Description	Quantity
807529003ACB	BRKT,ODE,RL280	1.000 EA
000613006NT	NAME PLATE IEC	1.000 EA
032018004DK	HHCS,DRIP COVER	4.000 EA
032018006CK	HHCS 3/8-16X3/4L PLATED	4.000 EA
034017014AB	LCKW 3/8 STD. PLATED	4.000 EA
034017016AB	LCKW 1/2" PLATED	4.000 EA
036000012HB	HHCS M6X12MM LONG PLATED	4.000 EA
036000012JB	M8-1.25 X 12MM HXHDC	3.000 EA
036000012JB	M8-1.25 X 12MM HXHDC	4.000 EA
036000016KB	HHCSM10-1.5X16MM PLTD-280	2.000 EA
036000016KF	HHCS M10 16MM BRASS	2.000 EA
036000020JB	HHCS M8-1.25X20L PLTD-250	8.000 EA
036000045JB	M8-1.25 X 45MM HXHCS	4.000 EA
036600009AB	METRIC FLWASH M8 PLATED	3.000 EA
036620009AB	M8 EXTERNAL LK WASHER	3.000 EA
036620010AB	M10 EXT. TOOTH LK WASHER	2.000 EA
077176001A	CBOXC, PAINTED 360-400	1.000 EA
402731001A	GASK 360-440	1.000 EA
410978010C	FLANGE, INLET BLOWER HSG.	1.000 EA
410978019A	SCREEN, INLET FLANGE	1.000 EA
417733004J	GASKT	2.000 EA
418018074A	GROUND LABEL G100 METRIC 160 D.C.	3.000 EA
422919360	HHCVR KIT,RL280, DE, LOUVERED	1.000 EA
422919360	HHCVR KIT,RL280, DE, LOUVERED	1.000 EA

Product Information Packet: IDDRPM281006 - 100HP,1160RPM,3PH,NAHZ,L2882,DPG-FV,FOOT

609843001AH	GASKET RL280 (HHCVR)	1.000 EA
610490001AH	.75HP,3450//2850RPM,3PH,60//50HZ,56C,351	1.000 EA
415000103E	T/LUG #4AWG-1/0AWG W/HOLE FOR .375 BOLT	1.000 EA
611965001A	WHEEL, BLOWER	1.000 EA
706305301A	GUARD, SHAFT	1.000 EA
706320016A	CONDUIT BOX	1.000 EA
708528004J	BLOWER HOUSING	1.000 EA
000640000P	TAG WINDING THERMOST	1.000 EA
004824007K	SPECIAL PAINT	0.100 EA
034180032HA	KEY 5/8X5/8X4 L bin stocked	1.000 EA
418018116	WARNING PLATE	1.000 EA
418014004A	ADAPT	1.000 EA

REL S.O.	-	VOLTS	460	ENCLOSURE	DPFV	WYE	CONN EQ	CKT OHMS	PER PHASE
FRAME	RL2882	AMPS	122.91	MAX SAFE RPM	5000	(AT BASE RATING, 25 °C)			
HP	100	DUTY	CONT	IM (AMPS)	36.86	R1	.0684	X1	.323
BASE SPEED	1160	S.F.	1.0	P.F. @NL/FL	.059/.867	R2	.0486	X2	.298
PHASE/HERTZ	3/40	AMB °C/INSUL	40/H	WK ² (lb-ft ²)	8.3			XM	7.38


RATED FULL LOAD DATA

	RPM	HP	TORQUE LB-FT	FUND VOLTS	FREQ-HZ	AMPS
BASE SPEED	1158	99.9	453	460	40	123
MAX SPEED	3452	40.0	61	460	116.7	48.8
MIN SPEED	0	0	453	27.9	1.391	123

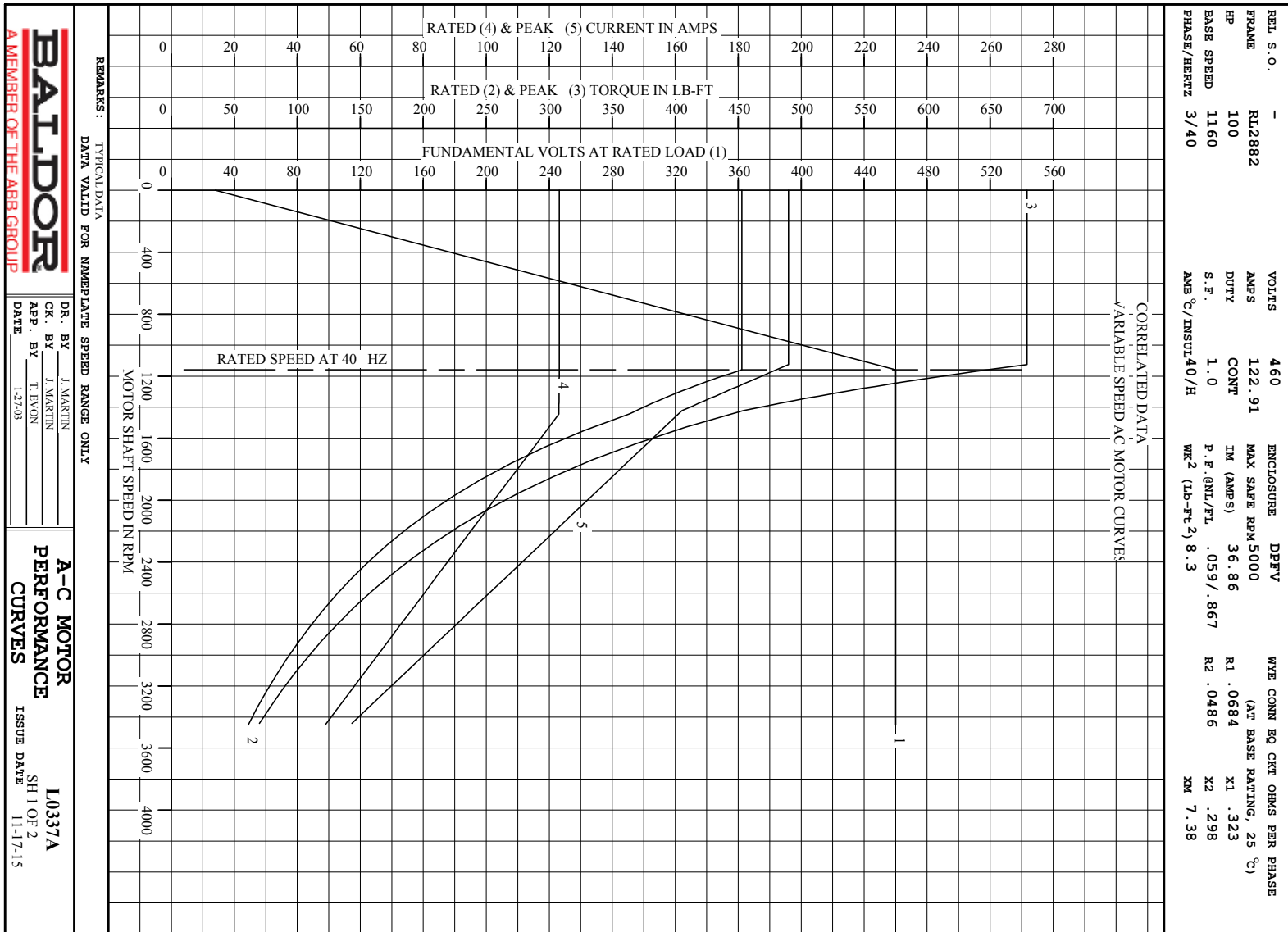
LOAD PERFORMANCE AT BASE SPEED

	RPM	HP	TORQUE LB-FT	FUND VOLTS	FREQ-HZ	AMPS
NO LOAD	1200	0	0	460	40	36.4
1/4	1191	25.9	114	460	40	47.0
1/2	1181	51.7	230	460	40	68.6
3/4	1169	77.6	349	460	40	95.9
FULL LOAD	1158	99.9	453	460	40	123
O/L	1124	146	679	460	40	196

REMARKS: TYPICAL DATA
CORRELATED DATA

 <p>A MEMBER OF THE ABB GROUP</p>	DR. BY	J. MARTIN	<p>A-C MOTOR</p> <p>PERFORMANCE</p> <p>DATA</p>
	CR. BY	J. MARTIN	
	APP. BY	T. EVON	
	DATE	1-27-03	

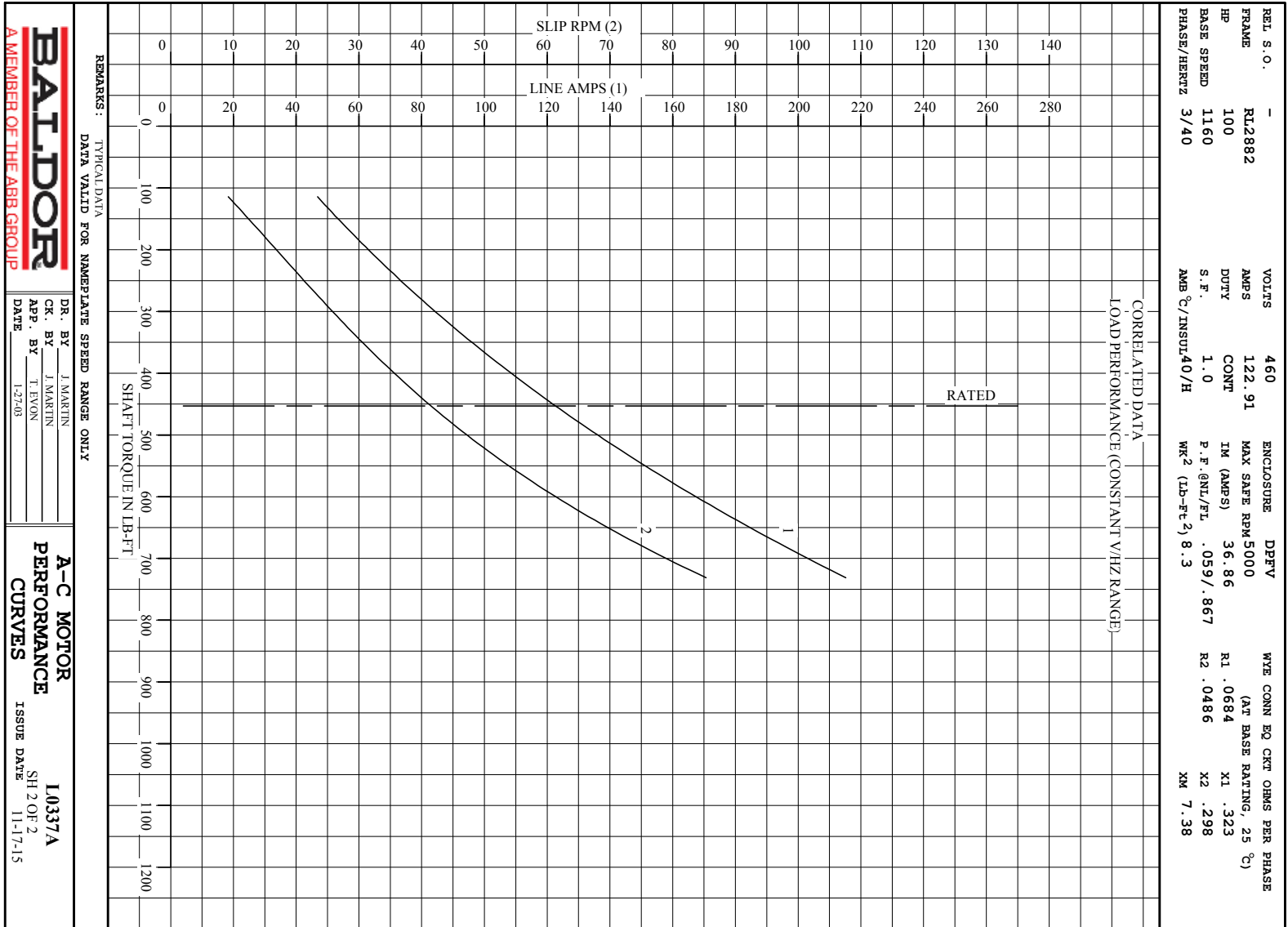
A-C MOTOR
PERFORMANCE
DATA
ISSUE DATE 11-17-15



BALDOR
A MEMBER OF THE ABB GROUP

DR. BY J. MARTIN
CR. BY J. MARTIN
APP. BY T. EVON
DATE 1-27-03

A-C MOTOR
PERFORMANCE
CURVES
I/0337A
SH 1 OF 2
ISSUE DATE 11-17-15



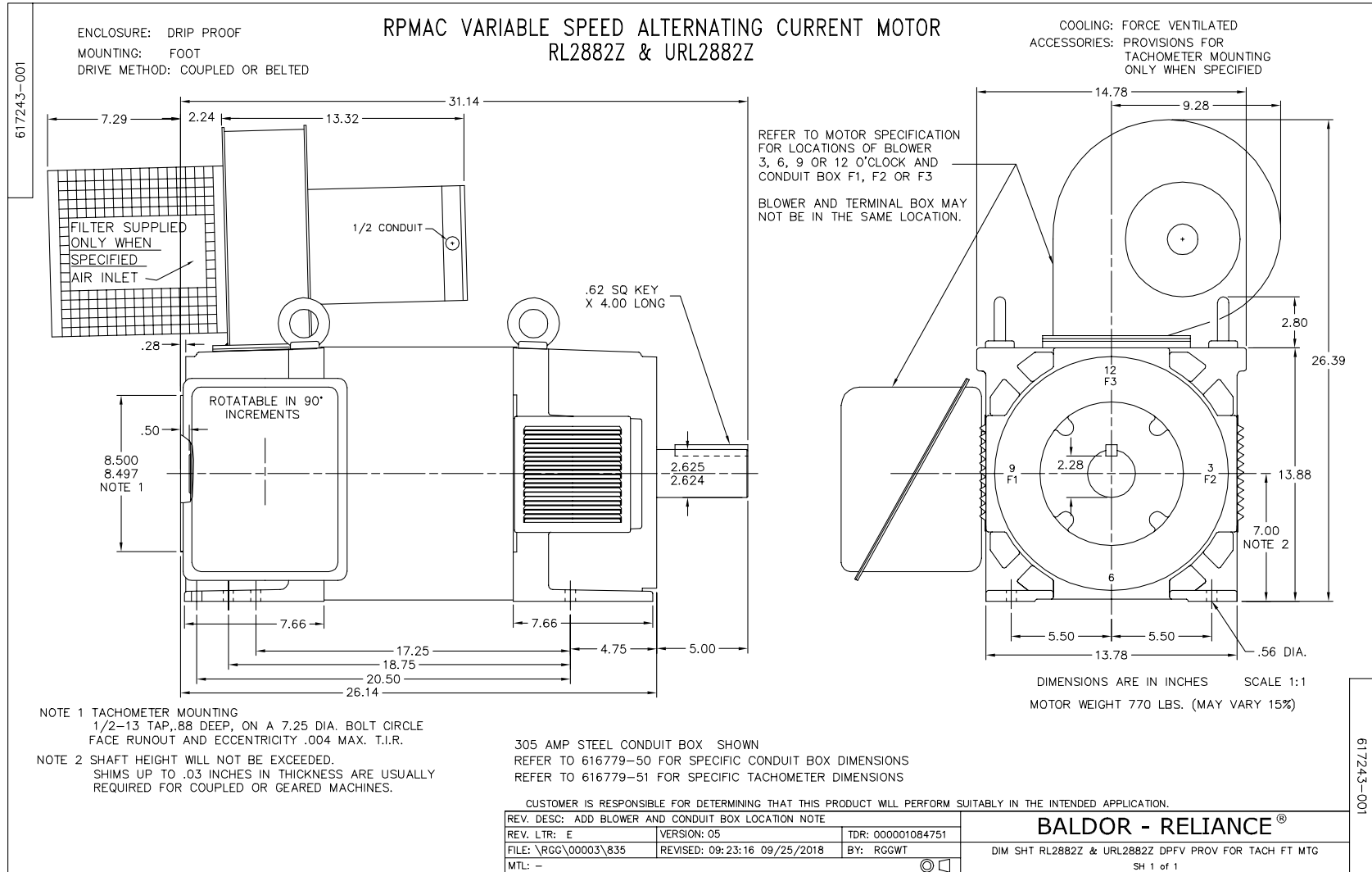
REMARKS: TYPICAL DATA
DATA VALID FOR NAMEPLATE SPEED RANGE ONLY

BALDOR
A MEMBER OF THE ABB GROUP

DR. BY J. MARTIN
CR. BY J. MARTIN
APP. BY T. EVON
DATE 1-27-03

A-C MOTOR
PERFORMANCE
CURVES

I/0337A
SH 2 OF 2
ISSUE DATE 11-17-15

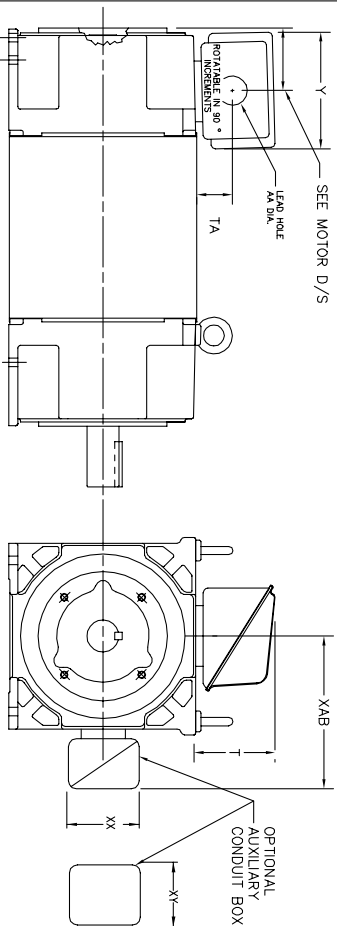


616779-050

INDUSTRIAL ALTERNATING CURRENT MOTORS

RPM AC

STEEL, CAST IRON, MILL AND TERMINAL BOARD CONDUIT BOX DIMENSIONS
 NEMA FRAMES FL210 thru FL280 and IEC FRAMES RDL132 thru RDL180
 NEMA FRAMES FL180 thru FL280 and IEC FRAMES FDL112 thru FDL180



FRAME	TYPE	TERMINAL STRIP	AMPS	C/BOX	Y	TA	T	AA
FL180	STEEL	N	40	706320003A	5.00	1.62	3.00	1.12
FL210	STEEL	N	75	706320005A	6.12	2.38	4.38	1.75/2.00
FL280	STEEL	N	208	706320007A	7.62	2.00	7.00	2.50/3.00
FL180 & FDL11	CAST IRON	Y/N	60	706320004C	5.75	2.38	4.38	1.0 TAP
FL180 & FDL11	MILL	Y	100	706310056A	7.75	2.30	4.40	PG29/PG16

FL210 & RL210	STEEL	N	61	0754520008	6.34	2.00	4.12	1.75
FL210 & RL210	STEEL	N	121	075454001AJ	7.69	2.38	5.25	1.94
FL210 & RL210	STEEL	N	305	706320016A	9.00	4.12	8.44	4.59
FL210 & RL210	CAST IRON	N	110	0754600628	7.25	2.50	5.25	1.5 TAP
FL210 & RL210	MILL	Y	100	706310225R	7.75	2.30	4.40	PG29/PG16
FL210 & RL210	MILL	Y	160	706310226R	9.00	3.06	5.40	PG36/PG16
FL210 & RL210	MILL	Y	160	706310056B	9.00	3.06	5.40	PG36/PG16
FL210 & RL210	MILL	Y	400	706310063B	14.39	7.43	12.15	BLANK

FL250 & RL250	STEEL	N	61	0754520008	6.34	2.00	4.12	1.75
FL250 & RL250	STEEL	N	121	075454001AJ	7.69	2.38	5.25	1.94
FL250 & RL250	STEEL	N	305	706320016A	9.00	4.12	8.44	4.59
FL250 & RL250	CAST IRON	N	110	0754600628	7.25	2.50	5.25	1.5 TAP
FL250 & RL250	CAST IRON	N	210	706320013A	10.50	4.88	9.00	4.0 TAP
FL250 & RL250	MILL	Y	100	706310056A	7.75	2.30	4.40	PG29/PG16
FL250 & RL250	MILL	Y	160	706310226R	9.00	3.06	5.40	PG36/PG16
FL250 & RL250	MILL	Y	160	706310056B	9.00	3.06	5.40	PG36/PG16
FL250 & RL250	MILL	Y	400	706310063B	14.39	7.43	12.15	BLANK

FL280 & RL280	STEEL	N	160	706320009A	7.25	3.50	7.06	2.50
FL280 & RL280	STEEL	N	305	706320016A	9.00	4.12	8.44	4.59
FL280 & RL280	STEEL	N	500	702658001C	14.62	7.56	12.70	5.00
FL280 & RL280	CAST IRON	N	140	706320012B	9.25	4.81	8.56	3.0 TAP
FL280 & RL280	CAST IRON	N	210	706320013A	10.50	4.88	9.00	4.0 TAP
FL280 & RL280	CAST IRON	N	510	706320014D	15.00	7.56	12.81	5.0 TAP
FL280 & RL280	MILL	Y	100	706310056A	7.75	2.30	4.40	PG29/PG16
FL280 & RL280	MILL	Y	160	706310056B	9.00	3.06	5.40	PG36/PG16
FL280 & RL280	MILL	Y	160	706310056B	9.00	3.06	5.40	PG36/PG16
FL280 & RL280	MILL	Y	400	706310063B	14.39	7.43	12.15	BLANK

FRAME SIZE	XAB	OPTIMAL AUXILIARY CONDUIT BOX DIMENSIONS (MAXIMUM)							
		XX	XY	PART NUMBER					
FL210/FL180/RL210/RL180	7.38	4.25	4.25	603C007-26-A	FL210/FL180/RL210/RL180	10.88	8.00	8.00	706310-3-B
FL250/FL160/RL250/RL160	8.44	4.25	4.25	603C007-26-A	FL250/FL160/RL250/RL160	11.88	8.00	8.00	706310-3-B
FL280/FL180/RL280/RL180	9.12	4.25	4.25	603C007-26-A	FL280/FL180/RL280/RL180	12.62	8.00	8.00	706310-3-B

- (1) TAP CONDUIT
- (2) TAP PIPE TAP
- (3) CUSTOMER TO PROVIDE HOLE FOR CONDUIT.
- (4) 2" DN -5A or 1" TAP DN -4C

TERMINAL BOX CAN BE KEPT FOR LEAD OUTLET AT TOP SIDES OR BOTTOM SIDES. LEAD OUTLET DIMENSIONS SPECIFIED IN BOX LOCATED ON TYP WHEN SPECIFIED.

050-667919

CUSTOMER IS RESPONSIBLE FOR DETERMINING THAT BALDOR'S PRODUCT WILL PERFORM SUITABLY IN THE INTENDED APPLICATION.

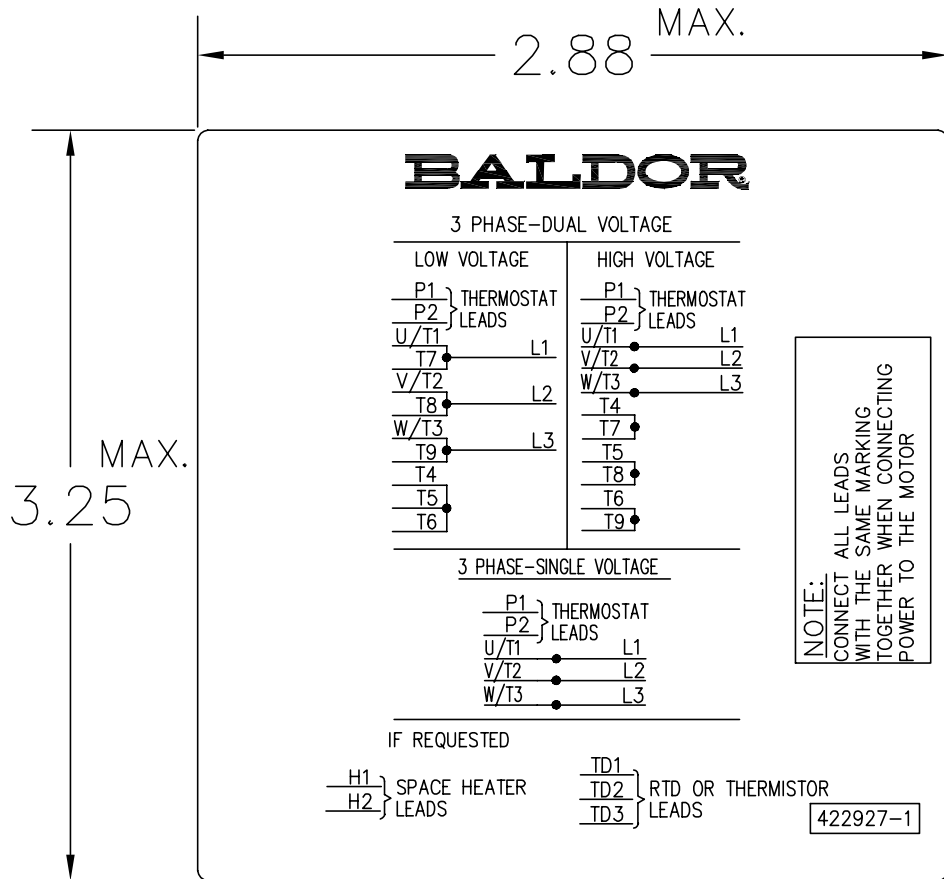
REV. DESC: ADD C/BOX 706310-225 & -226R	VERSION: 05	TDR: 000001093792
REV. LTR: E	REVISED: 07: 27: 52 12/18/2018	BY: RGGWT
FILE: \RGG\00003\692		
MTL: -		

BALDOR - RELIANCE®

DIM SHT NEMA RL210-RL280 FL180-FL280 IEC RDL132-RDL180

SH 1 of 1

422927-001



NOTE:
DATA TO BE SIZED
SO THAT IT FITS INTO
MATERIAL DECAL
DIMENSIONS. MAKE
LETTERS & NUMBERS
AS LARGE AS POSSIBLE.

MATERIAL: CERAMATIC DGF-P4
PERMA GRIP ADHESIVE

ALL LETTERS, NUMBERS
AND LINES TO BE BLACK
ON WHITE BACKGROUND.

422927-001

REV. DESC: CHANGE BACKGROUND COLOR FROM GOLD TO WHITE		
REV. LTR: B	VERSION: 02	TDR: 000000788708
FILE: \RGG\00000\203	REVISED: 08:09:29 03/04/2013	
MTL: -	BY: RGGWT	

BALDOR

EXTERNAL CONNECTION LABEL

SH 1 of 1

Marketing maintained PDF of MN406:

<http://www.baldor.com/support/Literature/Load.ashx/MN406?ManNumber=MN406>